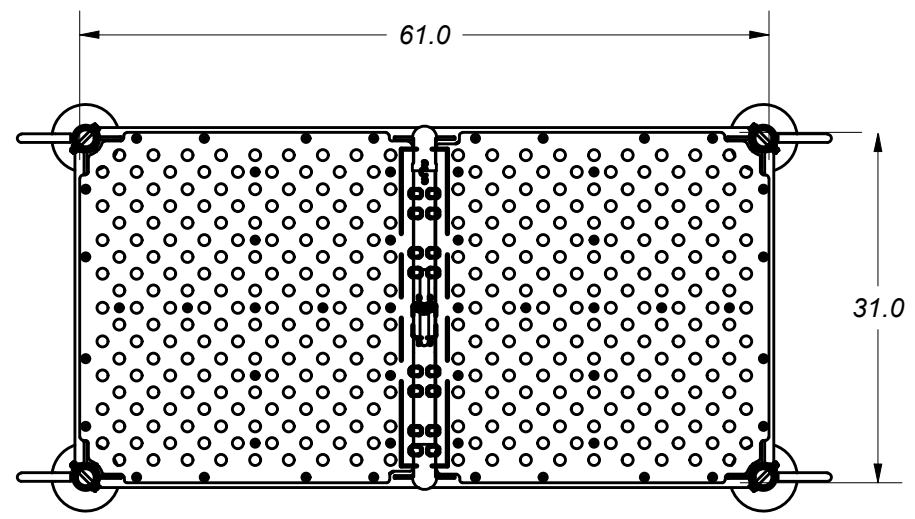
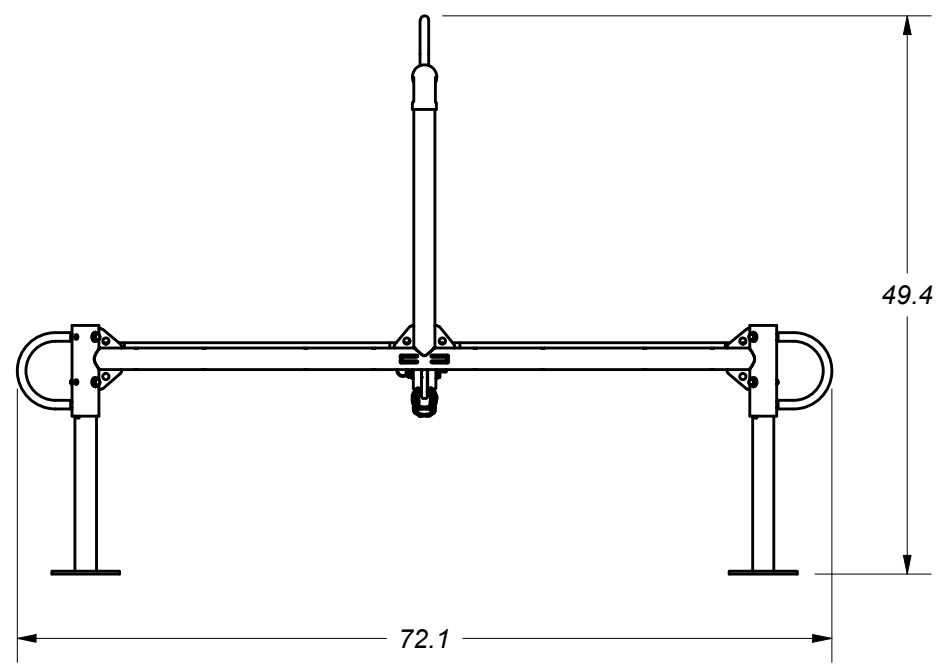
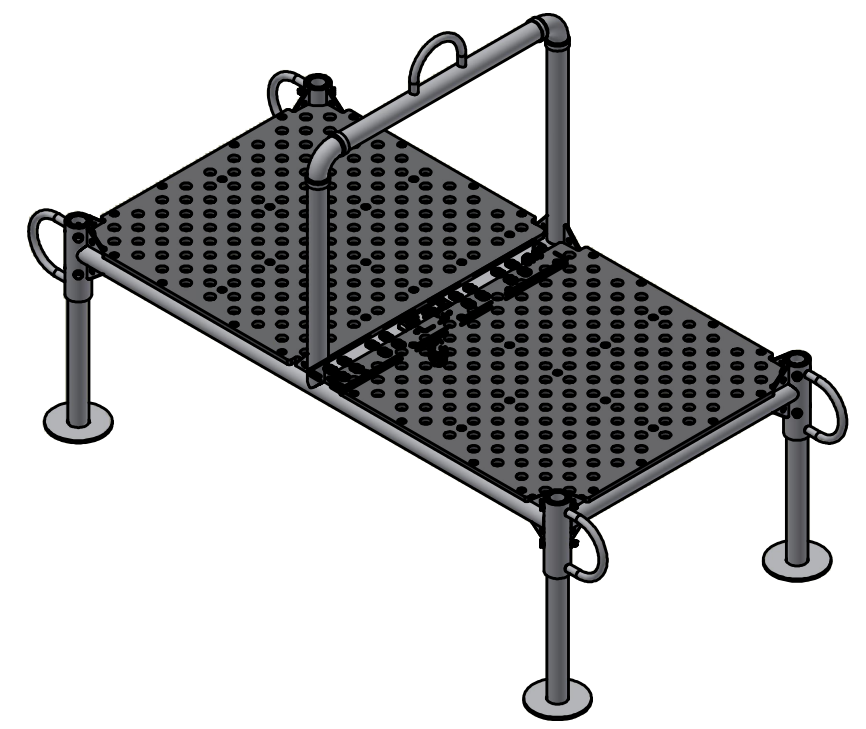


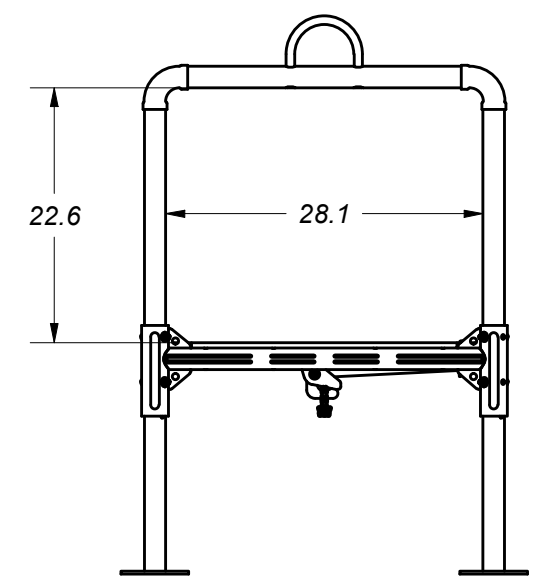
| REVISION HISTORY |      |             |          |
|------------------|------|-------------|----------|
| REV              | DATE | DESCRIPTION | APPROVED |
| 1                |      |             |          |



**OVERALL DIMENSIONS ARE SHOWN  
IF DESIGNING EQUIPMENT FOR MINIVATOR, USE  
APPROPRIATE CLEARANCES TO GUARENTEE FITMENT**



**MAXIMUM PAYLOAD:  
270 LBS WATERWEIGHT  
500 LBS AIRWEIGHT**



|  |         |  |          |  |                |
|--|---------|--|----------|--|----------------|
| UNLESS OTHERWISE NOTED:<br>DIMENSIONS IN INCHES<br>TOLERANCES: |         | © COPYRIGHT 2022<br>WOODS HOLE OCEANOGRAPHIC INSTITUTION |          | WOODS HOLE OCEANOGRAPHIC INSTITUTION<br>Deep Submergence Laboratory<br>Challenger Drive, WOODS HOLE, MA, 02543 |                |
| DECIMAL  | ANGULAR | DESIGN   | DATE     | TITLE  |                |
| .xx + 0.01   | ± 1 deg | K TRADD  | 2/8/2024 | <b>JASON MINIVATOR</b>   |                |
| .xxx ± 0.005   |         | DRAFT  |          | COMPLETE ASSEMBLY  |                |
| BREAK ALL SHARP EDGES R0.02 MIN                                |         | CHECKED  |          | SIZE   | DWG NO         |
| MATERIAL   |         |  |          | B  | MINIVATOR-0000 |
| FINISH   |         |  |          | SCALE  | REV            |
| SEE APPLICABLE NOTES   |         |  |          |  | A              |
|  |         |  |          | SHEET 1 OF 1   |                |